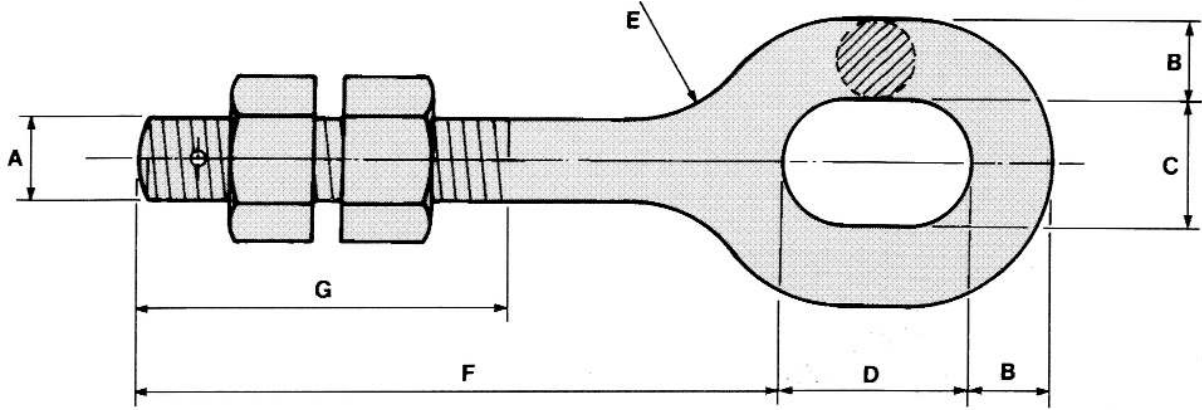


**Lift Suspension Eyebolts**

TO BS529 : 1944 PART 2

**BFE  
16**



A		WIRE ROPE CIRC	SWL		PROOF LOAD		B	C	D	E	F	G	WEIGHT EACH
inches	mm	inches	cwt	kgs	cwt	kgs	inches	inches	inches	inches	inches	inches	kgs
3/8	M10	1	4	203	8	406	3/8	5/8	7/8	5/8	6 12	4. 1/2 9	0.16 0.25
1/2	M12	1. 1/4	8	406	16	812	1/2	3/4	1. 1/8	3/4	12 18 24	9 13. 1/2 18	0.43 0.59 0.76
5/8	M16	1. 1/2 - 1. 3/4	13	660	26	1321	5/8	1	1. 5/8	1	18 24 30	13. 1/2 18 22. 1/2	0.91 1.14 1.36
3/4	M20	2	20	1016	40	2032	3/4	1. 1/4	1. 3/4	1. 1/4	18 24 30	13. 1/2 18 22. 1/2	1.42 1.76 2.10
7/8	M22	2. 1/4 - 2. 1/2	28	1422	56	2844	7/8	1. 1/2	2. 1/4	1. 1/2	18 24 30	13. 1/2 18 22. 1/2	2.04 2.50 2.95
1	M24	2. 3/4	37	1880	74	3759	1	1. 5/8	2. 1/2	1. 5/8	18 24 30	13. 1/2 18 22. 1/2	2.84 3.40 3.97
1. 1/8	M27	3	47	2388	94	4775	1. 1/8	1. 3/4	2. 3/4	1. 3/4	18 24 30	13. 1/2 18 22. 1/2	3.86 4.65 5.45

© Brooks Forgings Ltd 2008

**SPECIFICATIONS AVAILABLE**

**MATERIAL**

BS970 080A27 (ENSA)

**NON STANDARD MATERIALS**

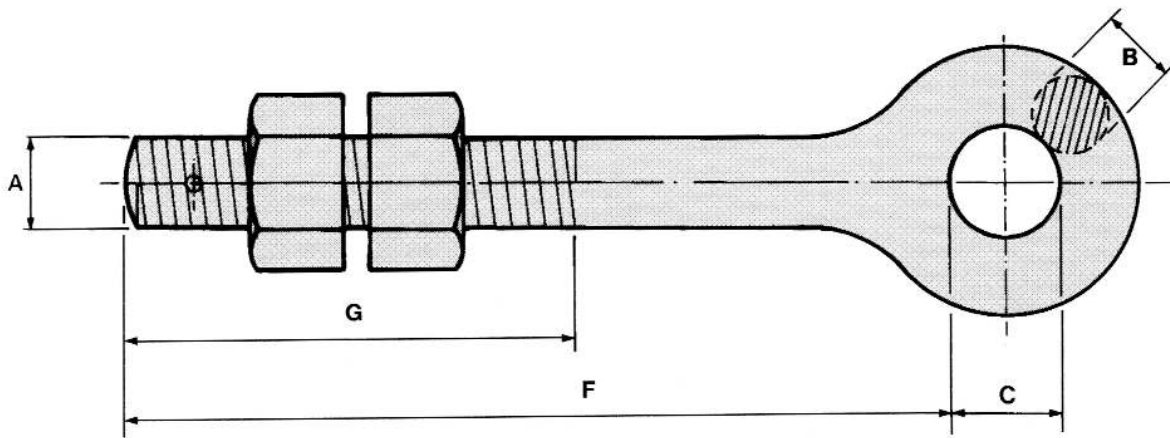
**ALSO AVAILABLE CARBON STEELS,  
ALLOY STEELS, B7**

**FINISH**

SELF COLOUR  
GALVANISED  
ELECTROPLATED  
CHEMICAL BLACK  
PTFE COATING

**Lift Suspension Eyebolts**

TO BS5655 : 1983 PART 8  
NON STANDARD LENGTHS AVAILABLE UPON REQUEST



**BFE  
17**

A	WIRE ROPE DIA	SWL	PROOF FORCE	MINIMUM BREAKING FORCE	B	C	F	G	WEIGHT EACH
mm	mm	tonnes	kn	kn	mm	mm	mm	mm	kgs
M10	6 - 6.5	0.20	4.12	20.60	10	15	150 300	115 230	0.13 0.22
M12	8	0.31	6.23	31.15	12	15	150 300	115 230	0.18 0.31
M16	10	0.49	9.73	48.65	15	21	300 450 600	230 345 460	0.64 0.88 1.11
M16	11	0.60	11.78	58.90	17	21	450 600 750	230 345 460	0.64 0.88 1.11
M20	13	0.83	16.45	82.28	20	24	450 600 750	345 460 575	1.45 1.82 2.15
M24	16	1.27	25.00	125.00	24	27	450 600 750	345 460 575	2.09 2.65 3.18
M30	19	1.79	35.17	175.85	29	34	450 600 750	345 460 575	3.49 4.32 5.15
M30	22	2.40	47.17	235.85	33	37	450 600 750	345 460 575	3.55 4.38 5.21

© Brooks Forgings Ltd 2008

**SPECIFICATIONS AVAILABLE**

**MATERIAL**

BS970 080A27 (EN5A)

**NON STANDARDS  
ALSO AVAILABLE  
CARBON AND ALLOY STEELS, B7**

**FINISH**  
SELF COLOUR  
GALVANISED  
SHERADIZED  
ELECTROPLATED  
PTFE COATING