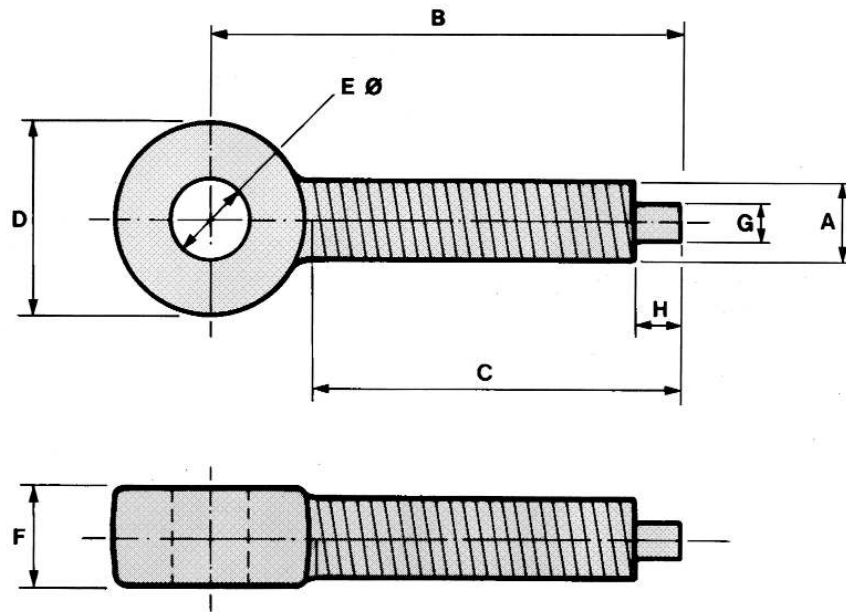


Nib End Eyebolts

THREADS M6 - M100 (1/4" - 4")



**BFE
30**

© Brooks Forgings Ltd 2008

SPECIFICATIONS AVAILABLE

<p>MATERIAL CARBON STEELS STAINLESS STEELS ALLOY STEELS B7, 4.6, 5.6, 8.8</p>	<p>NON STANDARDS AVAILABLE TO SUIT CUSTOMERS REQUIREMENTS</p>	<p>FINISH SELF COLOUR GALVANISED ELECTROPLATED CHEMICAL BLACK PTFE COATING</p>
--	--	---

tel. 01384 566772 fax. 01384 637380 web. www.brooksforgeings.co.uk