



ISO 9001



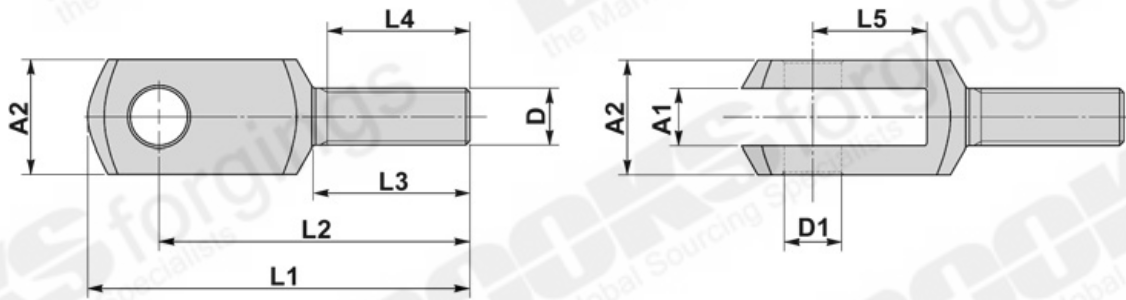
Approved



national highway sector schemes

Approved

BASIC CLEVIS - EXTERNAL THREAD



D	A1	A2	D1	L1	L2	L3	L4	L5
Thread	mm	mm	mm	mm	mm	mm	mm	mm
M8	8	16	8	57	47	25	20	16
M10	10	20	10	69	57	30	25	20
M12	12	24	12	82	68	35	30	24
M14	14	27	14	94	78	40	35	28
M16	16	32	16	108	89	45	40	32
M20	20	40	20	134	109	55	50	40

Available in both Right and Left Hand thread.

*Other sizes available to order.

TECHNICAL INFORMATION

Similar to DIN 71 752 / DIN ISO 8140 and according to CETOP standard.

MATERIAL

CARBON STEELS
STAINLESS STEELS
ALLOY STEELS
B7, 4.6, 5.6, 8.8

FINISH

SELF COLOUR
GALVANISED
ELECTROPLATED
SHERARDISED
PTFE COATING

