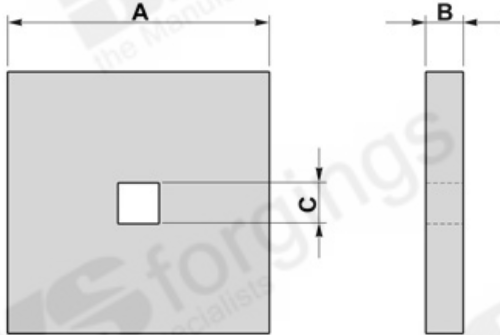


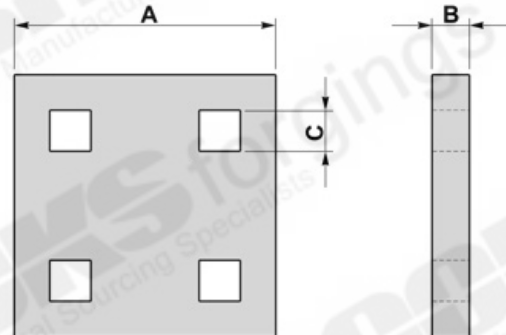
WASHER PLATES

TYPE A TO TYPE D ARE DESIGNED TO BE USED WITH SQ SQ HOLDING DOWN BOLTS TO BS 7419

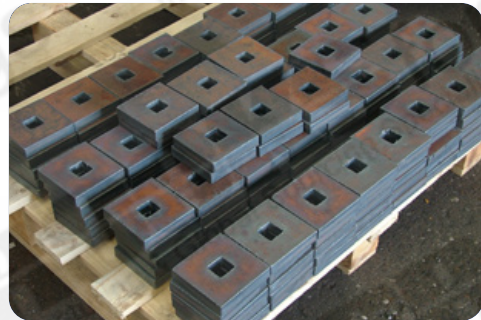
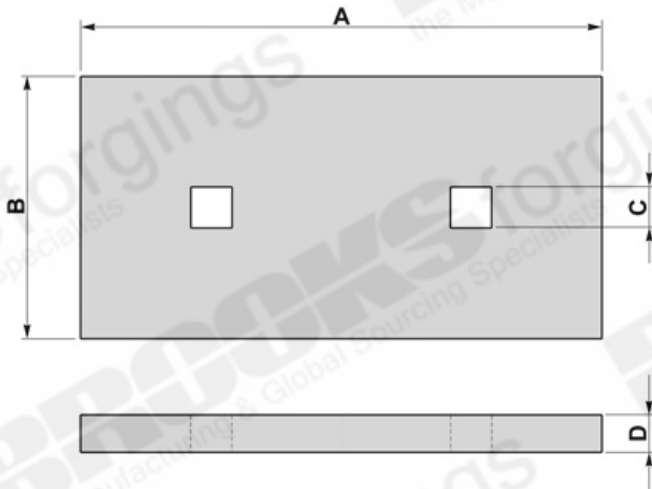
TYPE A



TYPE B

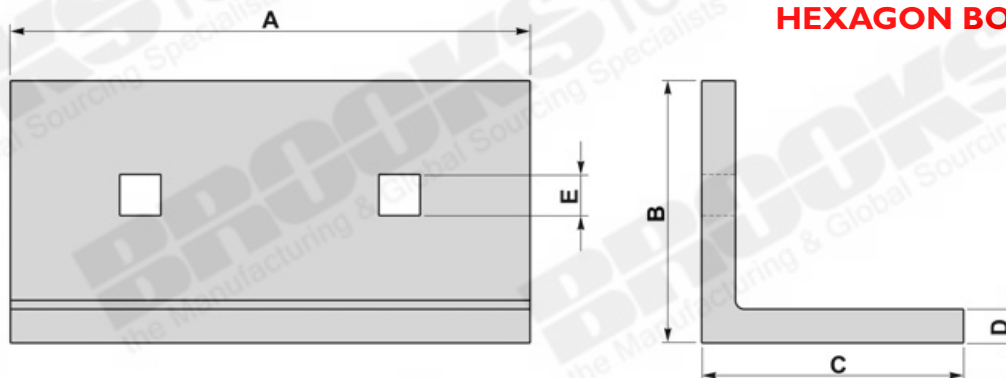


TYPE C



**PLATES AVAILABLE WITH
ROUND OR SQUARE HOLES
& LOCKING CAP IF
REQUIRED FOR USE WITH
HEXAGON BOLTS**

TYPE D





ISO 9001



Approved

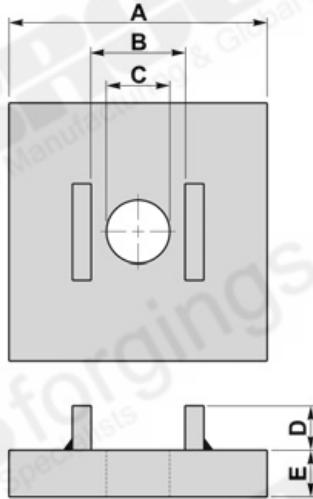


national highway sector schemes

Approved

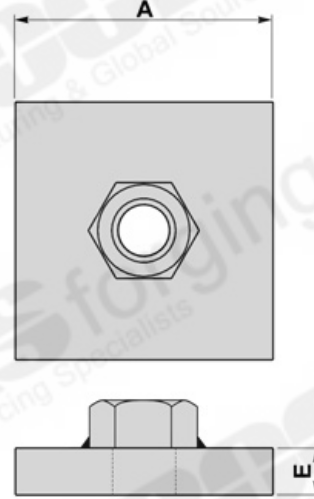
WASHER PLATES

TYPE E



TYPE E FOR USE WITH TIE RODS AND NUTS

TYPE H

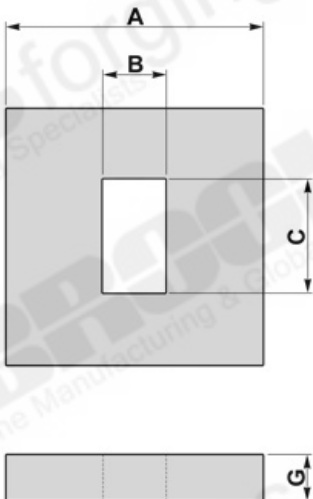


TYPE H WITH WELDED NUT TO REQUIREMENTS



TYPE F & TYPE G FOR REMOVABLE FOUNDATION SYSTEMS - SEE PAGE 25 FOR DETAILS

TYPE F



TYPE G

