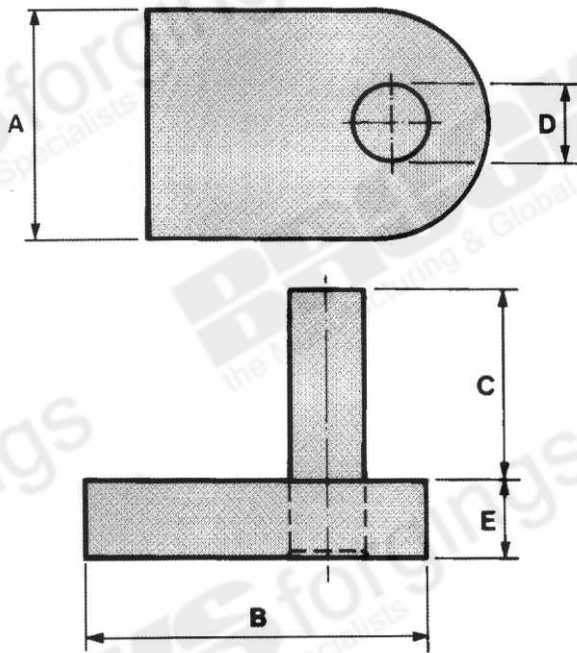
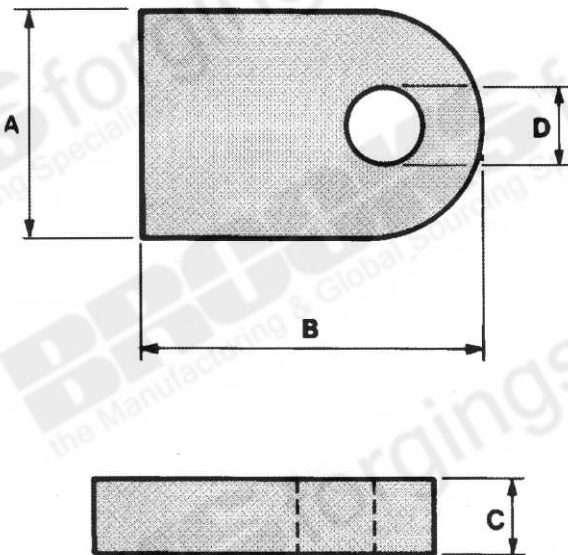


## Hooks To Weld



Code	Pin Dia mm	A mm	B mm	C mm	D mm	E mm
36/1	12 LW	25	40	25	12	10
36/2	16 LW	45	60	50	16	16
36/3	20 LW	45	60	50	20	16
36/4	12 HD	51	64	62	12	20
36/5*	16 HD	51	64	62	16	20
36/6*	20 HD	51	64	62	20	20
36/7	25 HD	51	64	62	25	20

## Eyes To Weld



Code	Pin Dia mm	A mm	B mm	C mm	D mm
36/8	12 LW	25	40	10	13
36/9	16 LW	45	60	16	18
36/10	20 LW	45	60	16	22
36/11	12 HD	51	64	20	14
36/12*	16 HD	51	64	20	18
36/13*	20 HD	51	64	20	22
36/14	25 HD	50	64	20	27

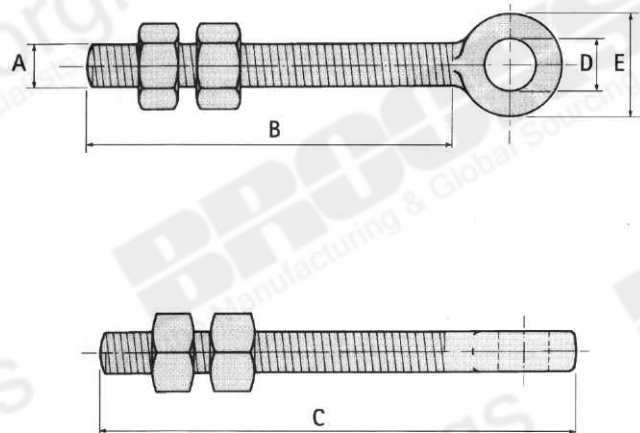
### ADDITIONAL INFORMATION

\*Preferred sizes

LW = Light Weight

HD= Heavy Duty

**Adjustable Gate Eyebolts**

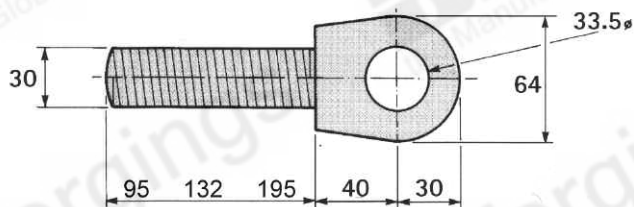


**35/1**

Supplied with 2 nuts  
Finish available; self colour, spun galvanised and electro plated

Code	To Suit Pin Dia mm	A metric Thread mm	B mm	C mm	D mm	E mm
35/1	12	M12	100	134	14	30
35/2	16	M16	100	140	18	38
35/3	16	M16	152	190	18	38
35/4	20	M20	115	159	21	45
35/5	22	M20	115	159	24	45
35/6	20	M20	152	197	21	45
35/7	22	M20	152	197	24	45
35/8	20	M20	204	248	24	45
35/9	20	M20	254	299	21	45
35/10	22	M20	254	299	24	45
35/11	25	M24	152	229	27	50
35/12	25	M24	204	229	27	50
35/13	25	M24	254	304	27	50
35/14	30	M30	152	212	33	60

**Heavy Duty Gate Eyebolts**



Standard Lengths Available



**35/15**

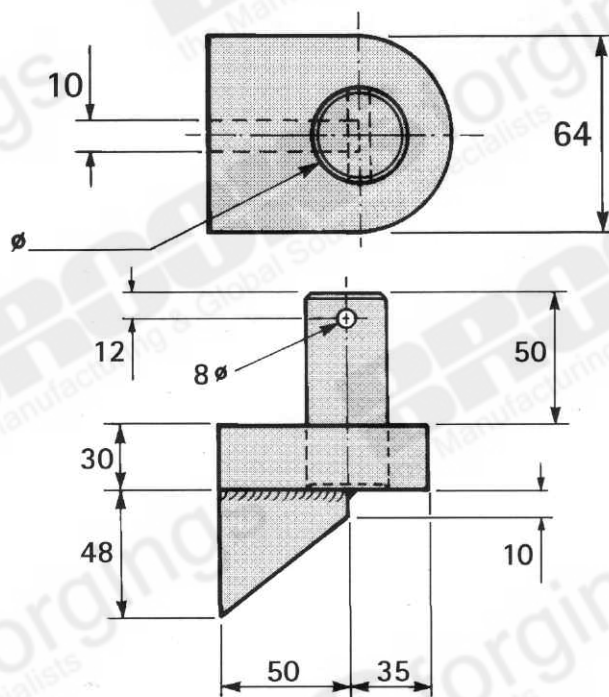
Longer lengths available  
Finish available; self colour and galvanised



**35/17**

Pivot block  
50x50x40mm  
31.5mm hole

**Heavy Duty Hooks To Weld**



**35/16**

Finish available; self colour

**ADDITIONAL INFORMATION**

Gate eyebolts, the simple hinge solution

tel. 01384 563356 fax. 01384 563357 web. [www.brooksforgings.co.uk](http://www.brooksforgings.co.uk)