

The **Welka 555500** gate lock has a useful 3 throw lock bolt which extends 32mm. The latch is reversible and is operated by lever handles or a knobset (not included). The 25mm cylinder is complete with 3 keys and can be supplied 'keyed alike' for multiple installations.



39/7 Welka - Key Different
39/8 Welka - Key Alike (or multiple installations)



39/6 Handle set for **39/7** & **39/8**

Locinox Traditional Lock



39/1
Hollow Section - To Suit Profiles 10-30mm

39/LOCK/LC60/BL/BL
Hollow Section - To Suit Profiles 60-80mm

39/3
Solid Section - To Suit Profile of 10mm

Locinox Decorative Lock



39/69
Solid Section - To Suit Profiles 10-20mm

39/67
Hollow Section - To Suit Profiles 30-40mm

39/68
Hollow Section - To Suit Profile 50mm

39/*LCKX60
Hollow Section - To Suit Profile 60mm

ADDITIONAL INFORMATION

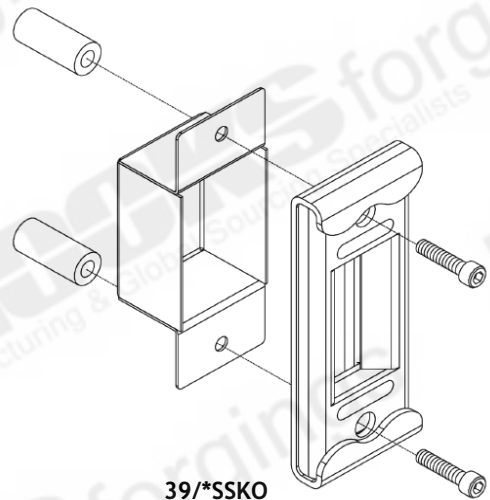
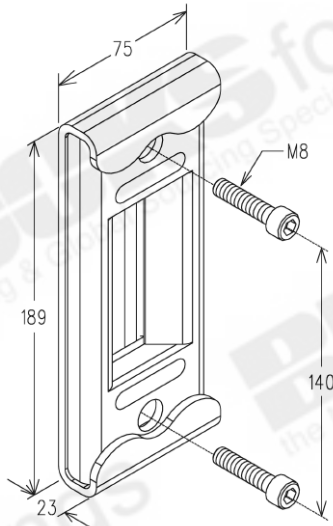
Our range is expanding all the time, call us for latest stock and availability

tel. 01384 563356 fax. 01384 563357 web. www.brooksforgings.co.uk

Locks & Accessories



39/*SSKZ
Keeper For Sliding Lock LS
(Fixing with machine screws)



39/*SSKO
Keeper For Sliding Lock LS
(Fixing with machine screw and protective cover)



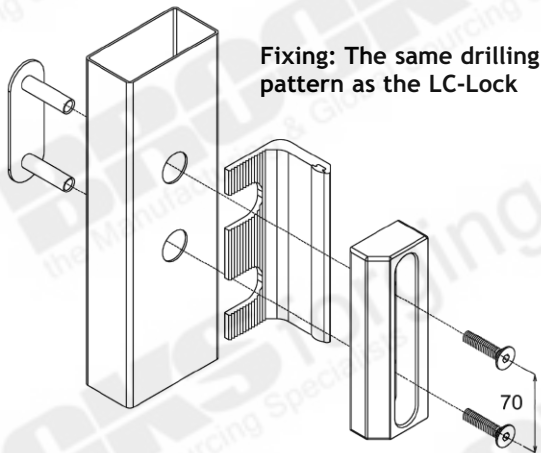
Locinox Sliding Gate Locks

39/*LSZ50
Lock - To Suit Profiles 50mm

39/*LSZ60
Lock - To Suit Profiles 60mm

39/*LSZ80
Lock - To Suit Profiles 80mm

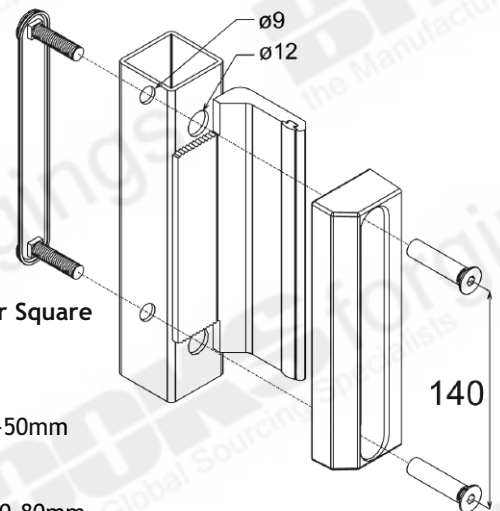
39/*LSZ100
Lock - To Suit Profiles 100mm



39/*SCKL40
To Suit Profiles 40-50mm

39/*SCKL60
To Suit Profiles 60-70-80mm

39/*SCKL80
To Suit Profiles 80-90-100mm



Locinox Keepers For Square Profiles

39/*SAKL40
To Suit Profiles 40-50mm

39/*SAKL60
To Suit Profiles 60-70-80mm

39/*SAKL80
To Suit Profiles 80-90-100mm

Locks & Accessories

Gate Holdback Catches



39/*ABL
Gate Holdback Catch



39/*ABK
Gate Holdback Catch

Spring Hinge for Garden Gates



39/72

Sold in pairs
One for the top, one for the bottom

No welding required
Fits into 40x40mm gate profile
Length of bolt: 130mm
Maximum gate size of 1300mm
Maximum supported weight: 60KG

Reversible: Left or Right Swinging
Tension adjustment

Handle Sets



39/*3006FA
Wrought Iron Styled Black Handle
Pair - Square 8mm



39/*3006S
Aluminium Handle Pair - Square 8mm



39/*3006I
Stainless Steel Handle Pair - Square
8mm



39/*3006M
Aluminium Handle Pair - Square 8mm



39/*3006KR

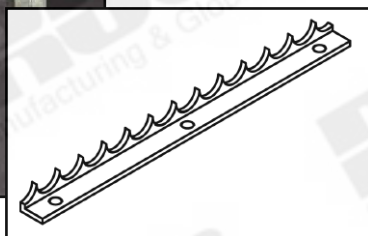


39/*3006WS
Kidlock Security Handle For
Swimming Pools, Playgrounds etc

Security Strips



39/79
Security Strip In L-Profile
Hot Dipped Galvanised
43x25x3mm
Length 2500mm



39/71
In Black Steel to Weld
Length 2000mm
Thickness 3mm

